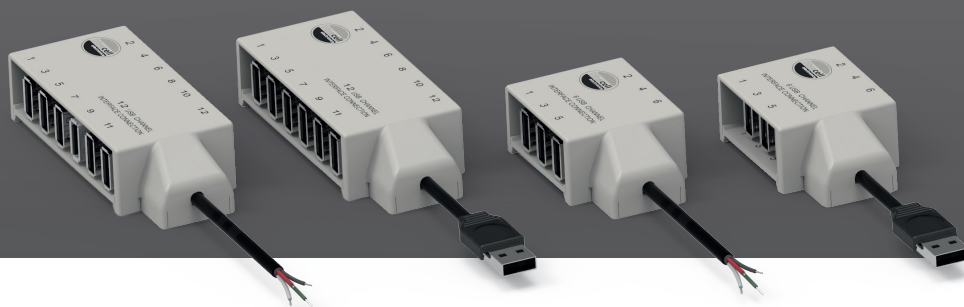


Connection box up to 6 or 12 USB-HUB

These INTERFACE allow to connect a set of up to 12 load cells in a single output. These allows sets of sensors to be connected to a load limiter with one single input.

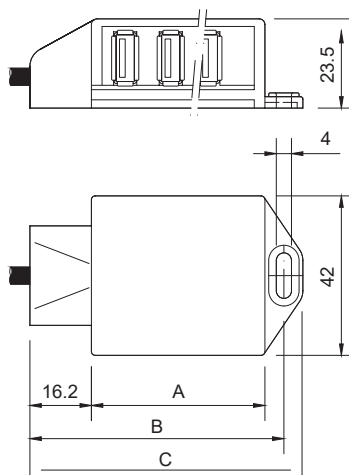


INTERFACE Connection boxes

There are 2 types of INTERFACE models on which depending on the number of USB-HUB connections, can be connected 1) up to six sensors or 2) up to twelve sensors in one group. These 2 models also depends on the cable output termination, could be with USB or with wired connection (5 wires).



Parameter	Units	Specifications			
Model	-	INTERFACE			
Temperature range	°C (°F)	-20 ... +60 (-4 ... +140)			
Material	-	Fire proof ABS			
Protection class	-	IP50			
Cable type	-	4 x 0.22 mm ² Ø4			
Cable length	m	5 + Ferrita			
USB port	-	6		12	
Connector	-	USB	Wired	USB	Wired
Ref.		007555	007274	007554	007275



	Cotes mm		
	A	B	C
6 USB	48	69	74
12 USB	84	105	110

Para más información

www.dinacell.com

Dinacell Electrónica S.L.
 Pol. Ind. Santa Ana C/ El Torno N°8
 CP 28522 Rivas Vaciamadrid, Madrid, ESPAÑA
 Tel. (+34) 913 001 435
 Fax. (+34) 913 001 645

Ref. documento: D1036-01
Fecha de emisión: 02/10/2019

Empresa certificada en



Sistema de Gestión
 ISO 9001:2015



www.tuv.com
 ID 9105036889



PYMEINNOVADORA

