

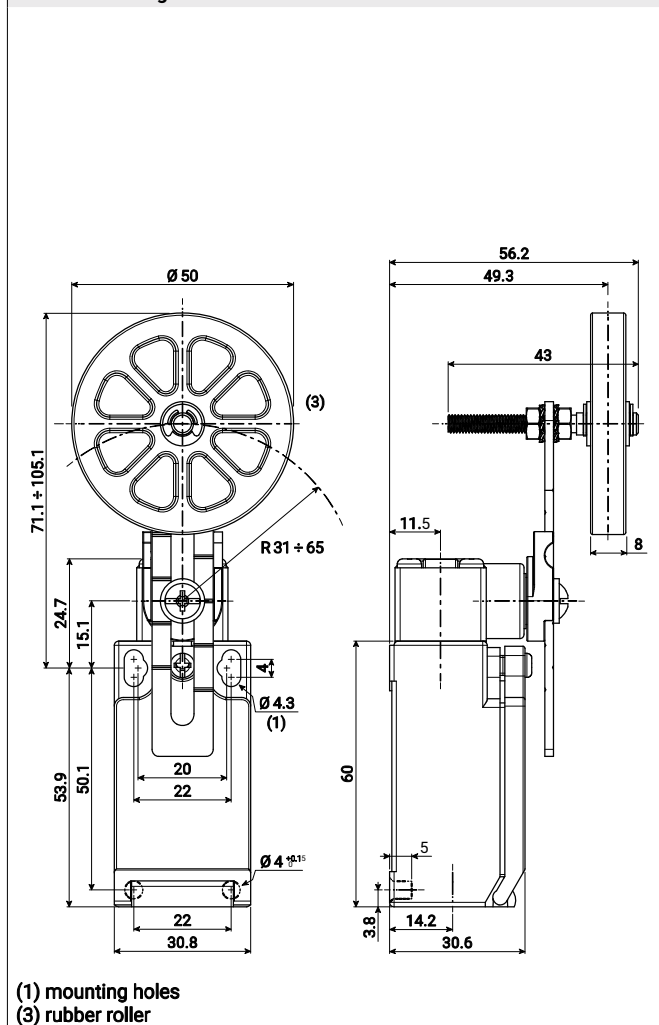


FTN140R

Limit switch with Ø50 rubber roller lever with variable length and overhanging
IP67

FTN		1	40R	XXX	XX
series	thermoplastic limit switch	function	actuator	contact type	conduit entry
FTN		1	40R	X11: 1NO+1NC W02: 2NC W20: 2NO Z11: 1NO+1NC Z02: 2NC W12: 1NO+2NC W03: 3NC	blank M N G1 G3 C
		without reset function	Ø50 rubber roller lever with variable length and overhanging	slow action (Zb) snap action (Zb) slow action (Zb)	M16 x 1.5 (standard) 1/2" NPT PG11 PG13.5 male code "A" M12 x 1 connector

technical drawing - sizes in mm



contact type	operation diagrams
X11 1NO+1NC slow action (Zb)	
W02 2NC slow action (Zb)	
W20 2NO slow action (Zb)	
Z11 1NO+1NC snap action (Zb)	
Z02 2NC snap action (Zb)	
W12 1NO+2NC slow action (Zb)	
W03 3NC slow action (Zb)	

contact type	categories	ratings	operational travel		operating force	positive opening		total travel
			PT1	PT2 (slow action) RP (snap action)	OF	POT (travel)	POF (force)	
X11: 1NO+1NC	A600-Q600	AC15: 400V - 4A	30°	45°	6.5 N	40°	6 N	80°
W02: 2NC			30°	-	6.5 N	40°	6 N	
W20: 2NO			32°	-	6.5 N	-	-	
Z11: 1NO+1NC	B600-Q600	DC13: 24V - 6A	30°	10°	2.1 N	62°	5.5 N	
Z02: 2NC			30°	5°	2.1 N	62°	5.5 N	
W12: 1NO+2NC	A300-Q300		32°	40°	6.5 N	45°	5.4 N	
W03: 3NC			32°	-	6.5 N	45°	5.4 N	