

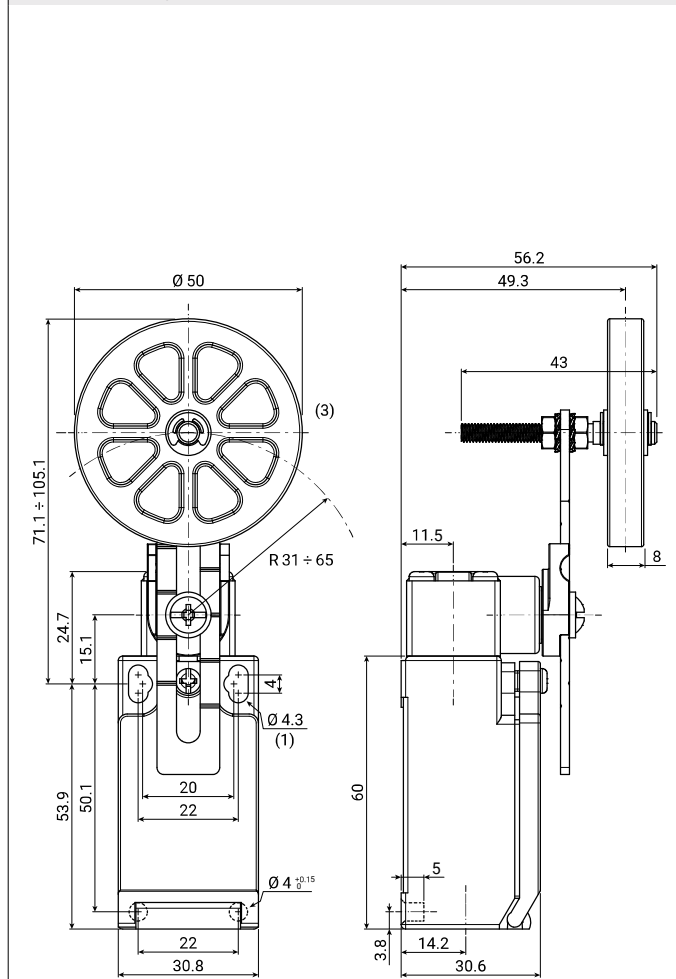


## FTN140R

Limit switch with Ø50 rubber roller lever with variable length and overhanging  
IP67

FTN series		1 function		40R actuator		XXX contact type		XX conduit entry	
FTN	thermoplastic limit switch	1	without reset function	40R	Ø50 rubber roller lever with variable length and overhanging	X11: 1NO+1NC W02: 2NC W20: 2NO Z11: 1NO+1NC Z02: 2NC W12: 1NO+2NC W03: 3NC	slow action (Zb)  snap action (Zb)  slow action (Zb)	blank M N G1 G3 C	M16 × 1.5 (standard) M20 × 1.5 1/2" NPT PG11 PG13.5 male code "A" M12 × 1 connector

technical drawing - sizes in mm



(1) mounting holes  
(3) rubber roller

contact type	operation diagrams
X11 1NO+1NC slow action (Zb)	
W02 2NC slow action (Zb)	
W20 2NO slow action (Zb)	
Z11 1NO+1NC snap action (Zb)	
Z02 2NC snap action (Zb)	
W12 1NO+2NC slow action (Zb)	
W03 3NC slow action (Zb)	

contact type	categories	ratings	operational travel		operating force	positive opening		total travel
			PT1	PT2 (slow action) RP (snap action)		POT (travel)	POF (force)	
X11: 1NO+1NC W02: 2NC W20: 2NO	A600-Q600	AC15: 400V - 4A	30°	45°	6.5 N	40°	6 N	80°
Z11: 1NO+1NC Z02: 2NC	B600-Q600	DC13: 24V - 6A	30°	-	6.5 N	40°	6 N	
W12: 1NO+2NC W03: 3NC	A300-Q300		30°	10°	2.1 N	62°	5.5 N	
			30°	5°	2.1 N	62°	5.5 N	
			32°	40°	6.5 N	45°	5.4 N	
			32°	-	6.5 N	45°	5.4 N	